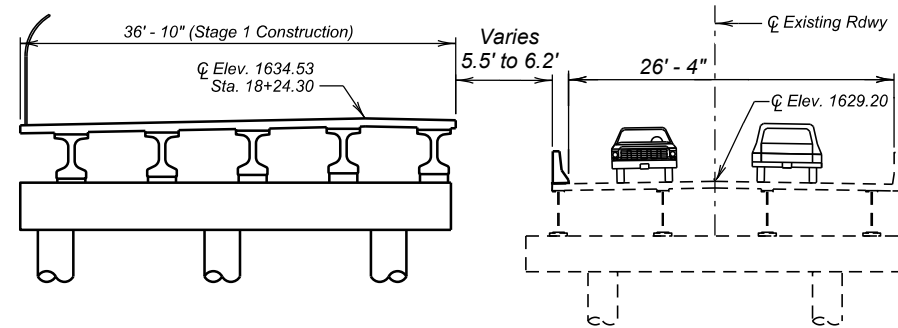
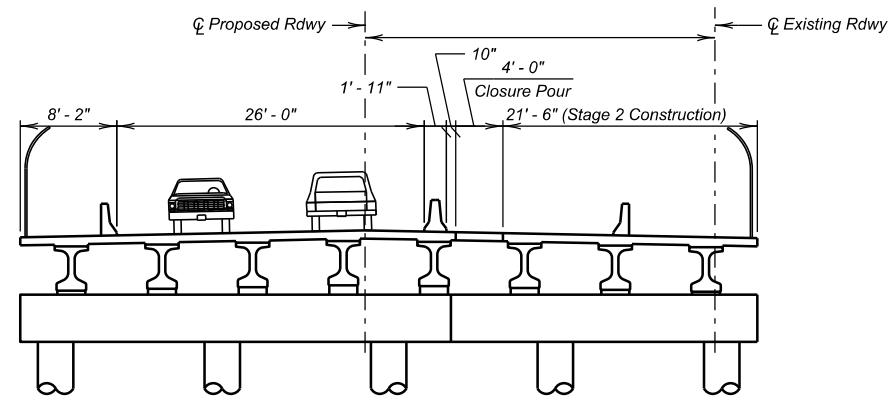


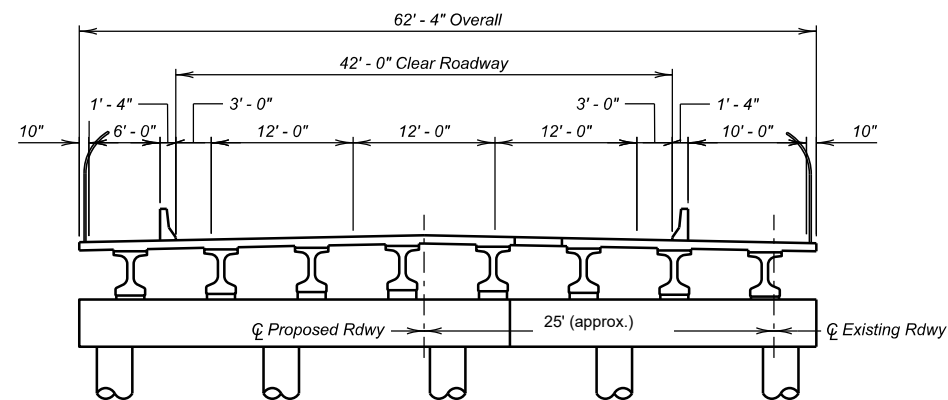
**EXISTING BRIDGE SECTION**



**STAGE 1**



**STAGE 2**



**COMPLETED BRIDGE SECTION**

**CONSTRUCTION STAGING**  
I-90 EXIT 387

DESIGNED BY EM	CK. DES. BY KJB	DRAFTED BY EM	BRIDGE ENGINEER
-------------------	--------------------	------------------	-----------------